

DoorLine

108 and 90mm hinges



Liability exclusion

All specifications in this catalogue were compiled carefully and reviewed. Because of technical progress and legislation modifications, the data may have changed in the meantime. We therefore hope you shall understand that we cannot be held liable for the correctness, completeness, and topicality of the contents. All rights, in particular the right to copy and circulate, reserved.

Imprint

Copyright: September 2010
Roto Roof Windows and Hardware Ltd
Swift Point
Rugby
CV21 1QH
Telephone: +44 (0)1788 55 86 00
Telefax: +44 (0)1788 55 86 05
info.west@roto-frank.com
www.roto.co.uk

Lorem Ipsum

DoorLine hinges
108 and 90mm

108 and 90mm hinges - overview

Form, versatility and functionality

The 108mm and 90mm ROTO Doorline hinges are the perfect accompaniment to the ROTO door programme. These fully adjustable hinges are compatible with virtually all of the popular PVCu door profiles as well as being suitable for use on timber doors with an upstand height of 14mm to 21mm.

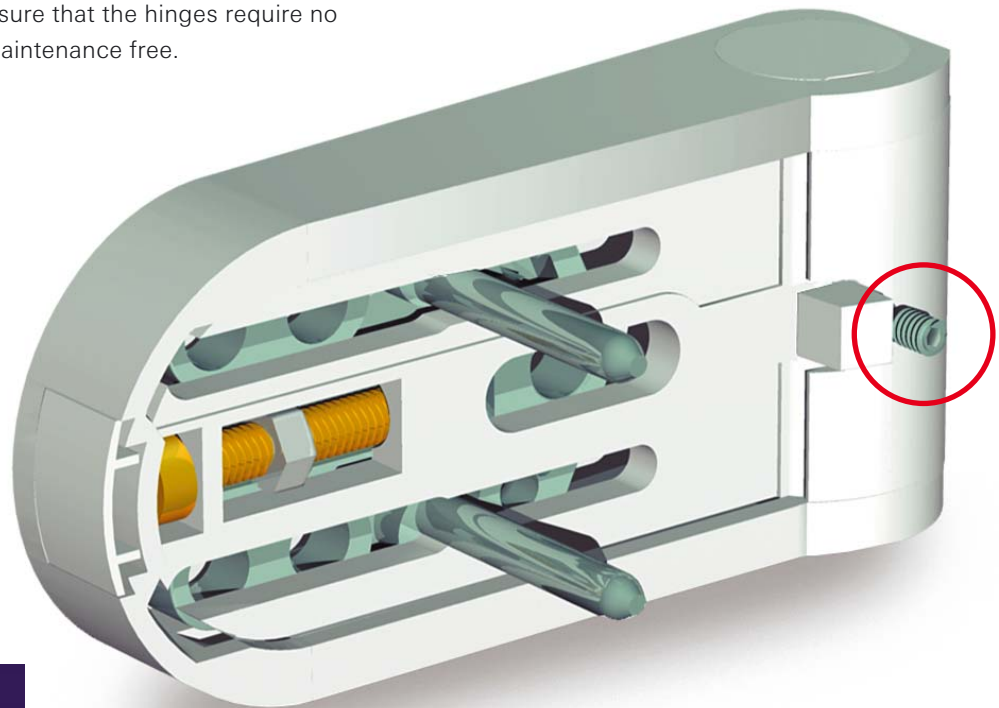
Readily available in both white and brown, the Doorline hinges can also be ordered to any RAL specification finish (minimum quantity) enhancing their aesthetically pleasing design.

The available range of lateral adjustment means the hinges can be set to give the best possible penetration of their fixing points into the steel reinforcement of PVCu profiles. Once installed, the Teflon materials used in the bearing bushes ensure that the hinges require no lubrication and remain maintenance free.

Security and installation

Security is increased through a series of integrated as well as optional features.

Ease of installation is achieved through the uncomplicated design of the product: everything required, including screws, is supplied as standard. Fabricators who use the dedicated jigs are able to mount the hinges accurately and efficiently; only one drill size is required.



Security grub screw on the 90mm hinge only
108mm hinge has a pan-headed screw

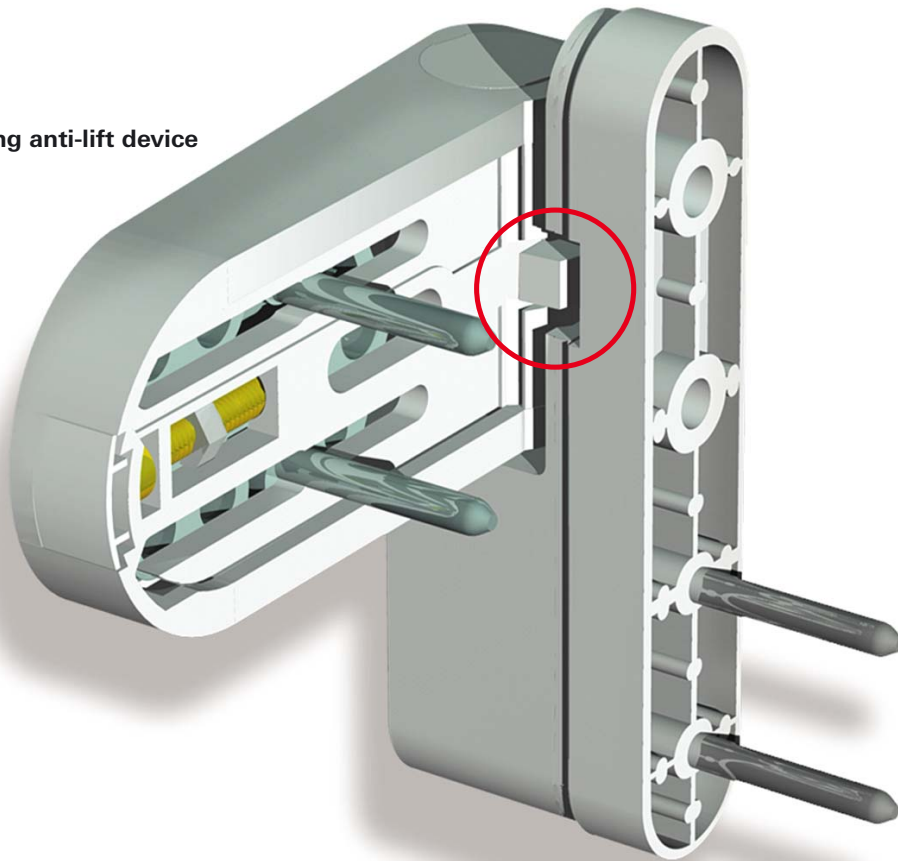


Simple and effortless individual mounting

Pre-assembled parts mean fast and exact fitting which can be aided further using the fitting jig(s). Catering for compression depths from 14mm to 21mm; by using the optional 1.5mm packer the maximum depth is increased further.

Hinges are packaged in component form as single boxes.

Showing anti-lift device

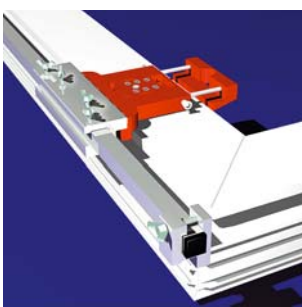


1.5mm, optional packer



Connecting rod:

used for positioning more than one jig.



Support pin:

this 8mm Ø pin increases the stability of the hinge. (108mm hinge only)

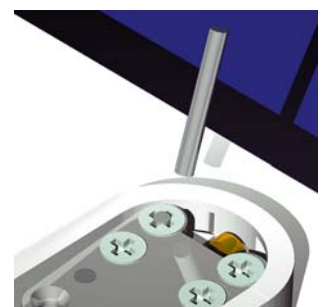


Security pin:

used for retaining one or more of the fastening screws, preventing their removal. To use, insert the ribbed end into the screw head, tap with a hammer and break off the shank.

Roto strongly recommends the security pin is inserted into each screw on outward opening doors.

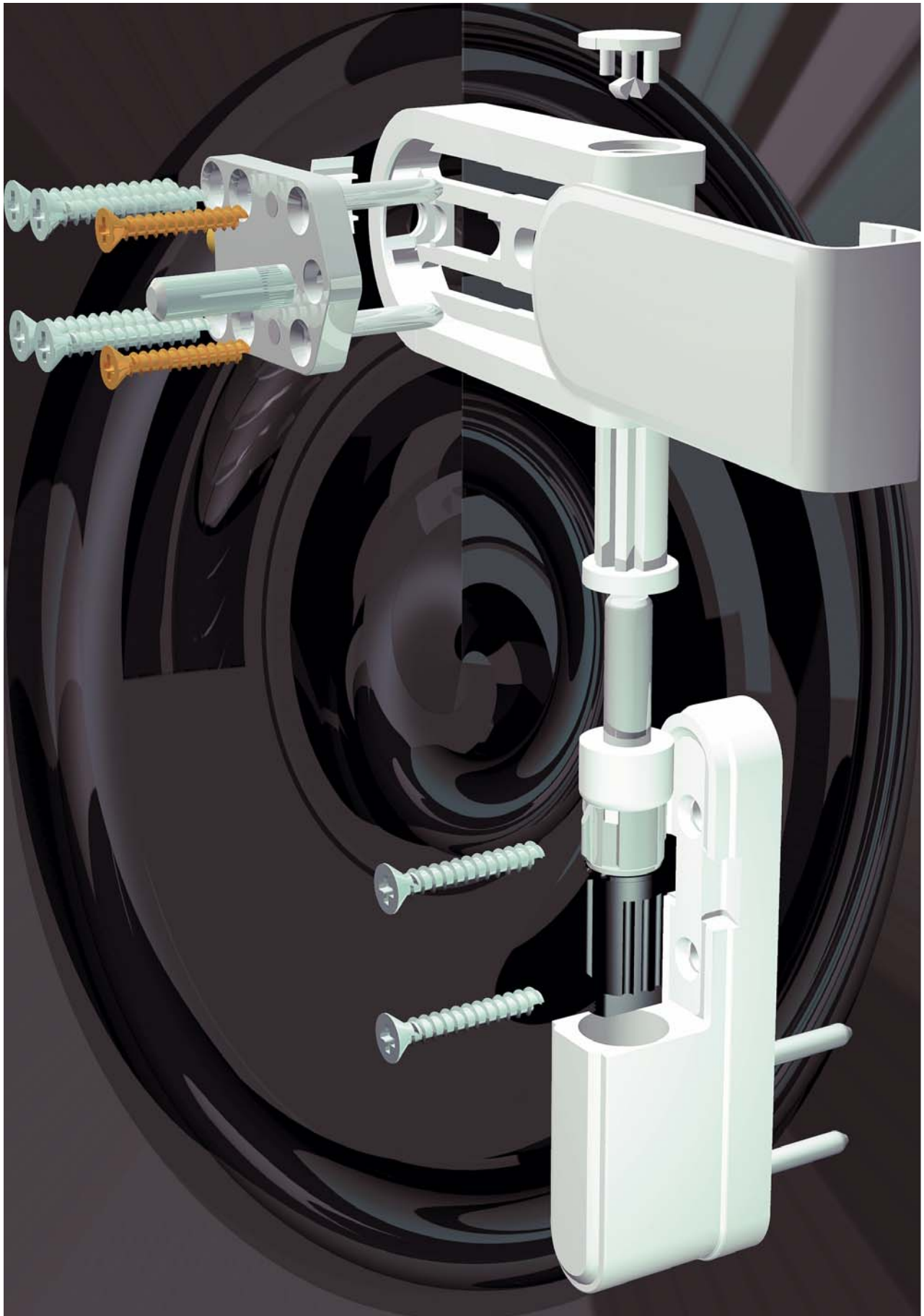
The security pin can be ordered quoting part no. 224 749



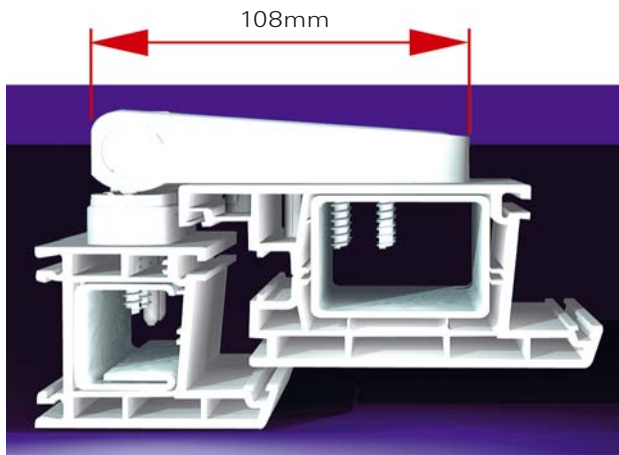
DoorLine hinges

108mm

108mm hinge details



Free and easy adjustments are possible whilst the door is in place, using a 5mm allen key or the optional adjustment key; laterally from +5mm to -5mm and vertically from +5mm to -1mm. The closing pressure is also adjustable ($\pm 0.75\text{mm}$) via the eccentric Teflon sheaf (further adjustment is possible by removing and rotating the frame pin).



Further features & benefits

- Non-handed hinge means left or right options are possible.
- For sash weights up to 120kg.
- Designed to withstand current door security requirements.
- Teflon coated load bearing bush means long service life and maintenance free operation.
- Zinc plated powder coating gives increased corrosion protection.
- Anti lift device



NB

The adjusting plates on the 108 mm Hinges have now been updated. The main change will subsequently increase the stability of the hinge and make it easier to adjust the hinges laterally.

Details below:

The profile of the plate has been altered to make the sides longer, increasing the contact it makes with the main body of the hinge. The result is greater stability and resists tendency for sash part to drop.

There are now additional guides. These guides help the slide and keep it in plane when the hinge is adjusted.

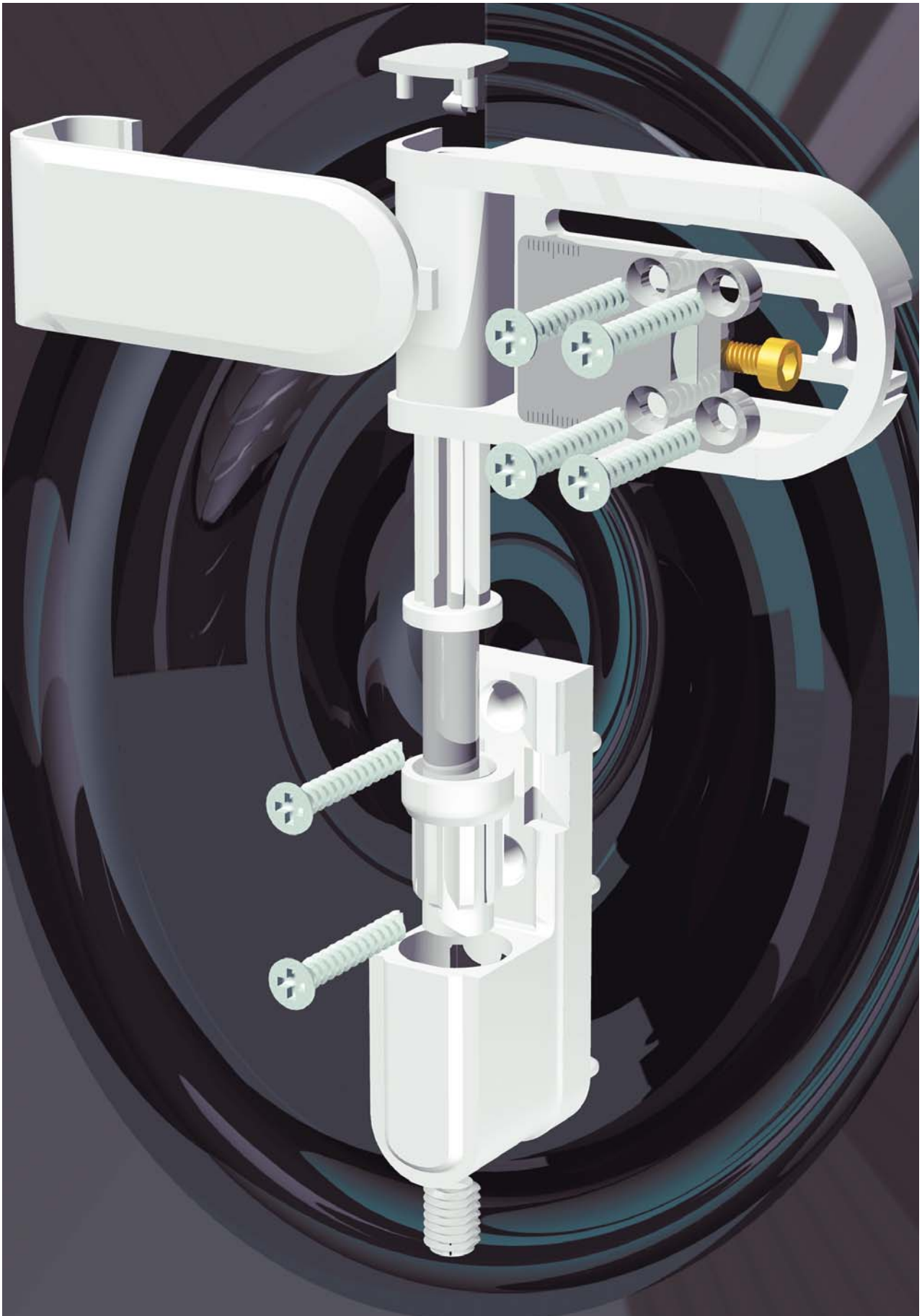
Additional support blocks. These allow much easier lateral adjustment of the hinge than hitherto possible.

There is now a variable pin position, these two options allow for optimum pin position according to profile system. Pins are factory inserted in either one of the two sets of holes depending upon profile system.

DoorLine hinges

90mm

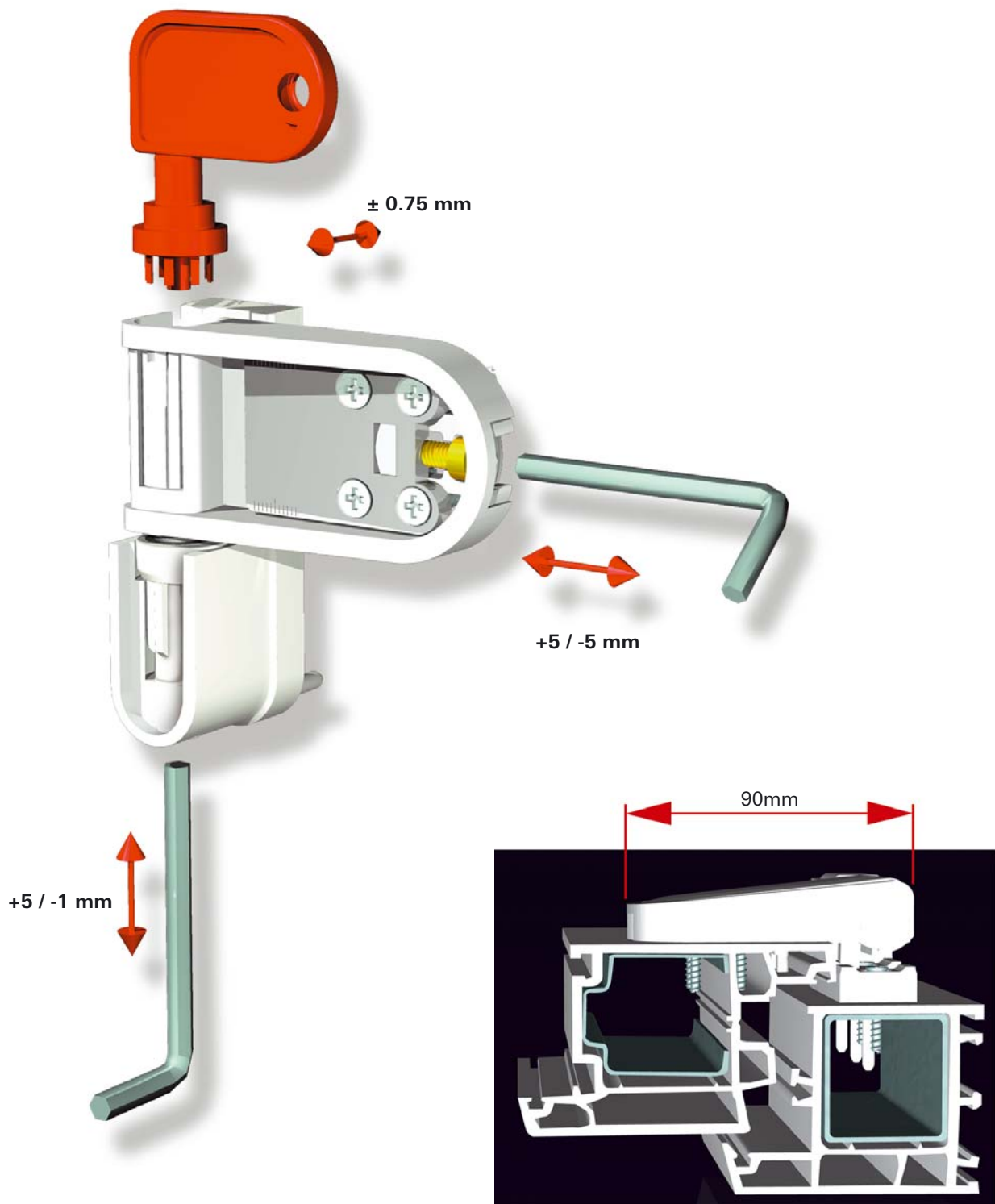
90mm hinge details



Free and easy adjustments are possible whilst the door is in place, using a 5mm allen key or the optional adjustment key; laterally from +5mm to -5mm and vertically from +5mm to -1mm. The closing pressure is also adjustable ($\pm 0.75\text{mm}$) via the eccentric Teflon sheaf (further adjustment is possible by removing and rotating the frame pin).

Further features & benefits

- Non-handed hinge means left or right options are possible.
- For sash weights up to 80kg.
- Teflon coated load bearing bush means long service life and maintenance free operation.
- Zinc plated powder coating gives increased corrosion protection.
- Anti lift device.



DoorLine hinges

108mm - part information

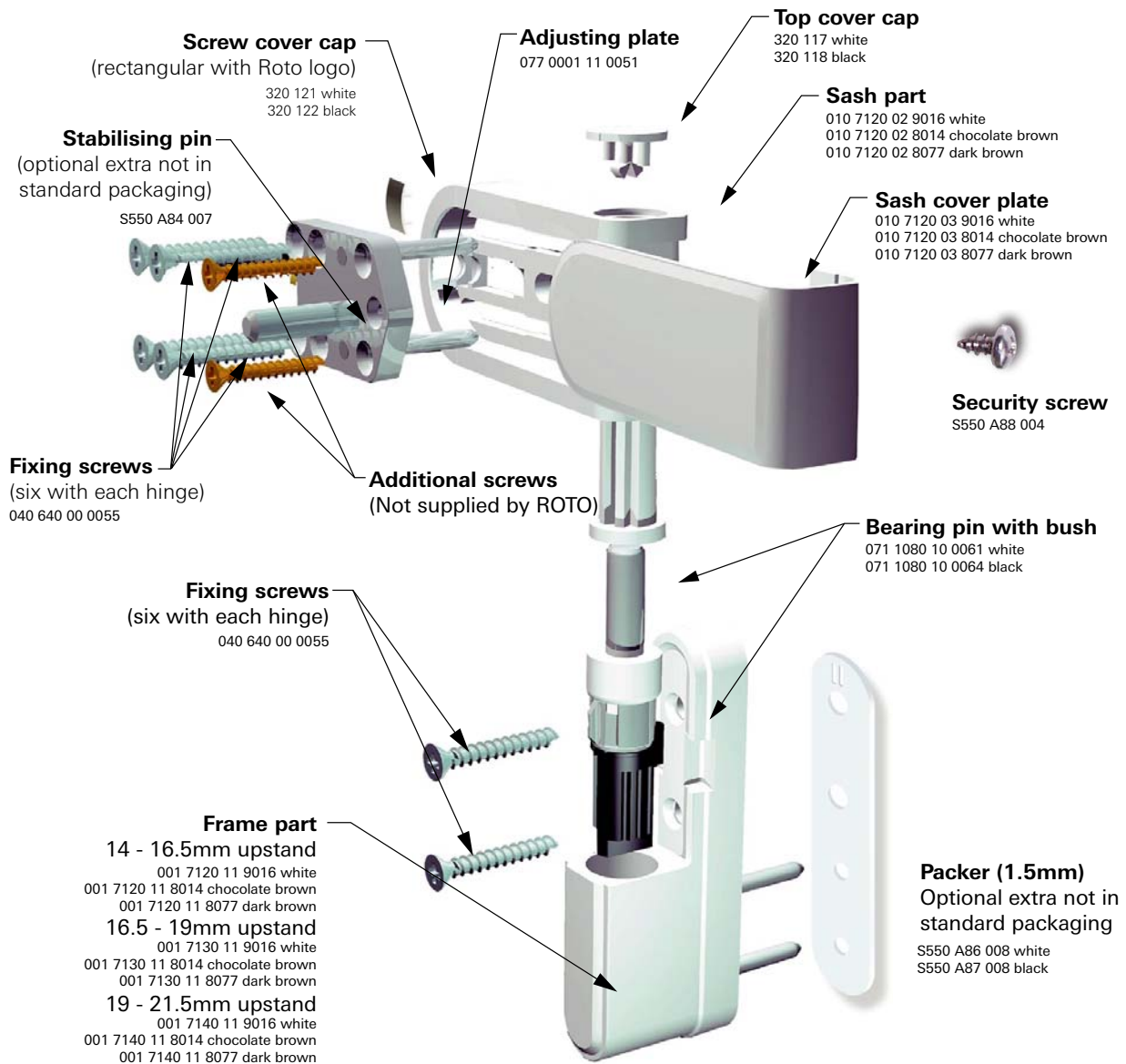
108mm part information

For upstand sizes 14 - 16.5 mm (including gasket)	
Colour	Part number
Brown - RAL 8077	224 762
White - RAL 9016	224 764
Light brown - RAL 8014	224 760
Caramel brown - RAL 8003	294 926
For upstand sizes 16.5 - 19 mm (including gasket)	
Brown - RAL 8077	224 770
White - RAL 9016	224 773
Light brown - RAL 8014	224 768
Caramel brown - RAL 8003	294 927

Please note:

Hinges can be ordered in any RAL specification finish, contact ROTO for further details.

For upstand sizes 19 - 21.5 mm (including gasket)	
Colour	Part number
Brown - RAL 8077	224 780
White - RAL 9016	224 782
Light brown - RAL 8014	224 778
Special hinges for WHS Halo Esthetique profile	
Brown - RAL 8017	301 553
Brown - RAL 8077	347 120
White - RAL 9016	301 552
Caramel brown - RAL 8003	301 554
Security pin	224 749
Adjustment key	223 666
Jigs	
Telescopic jig for 108 mm hinge	223 672
Connecting bar for 108 mm hinge	242 696



90mm - part information

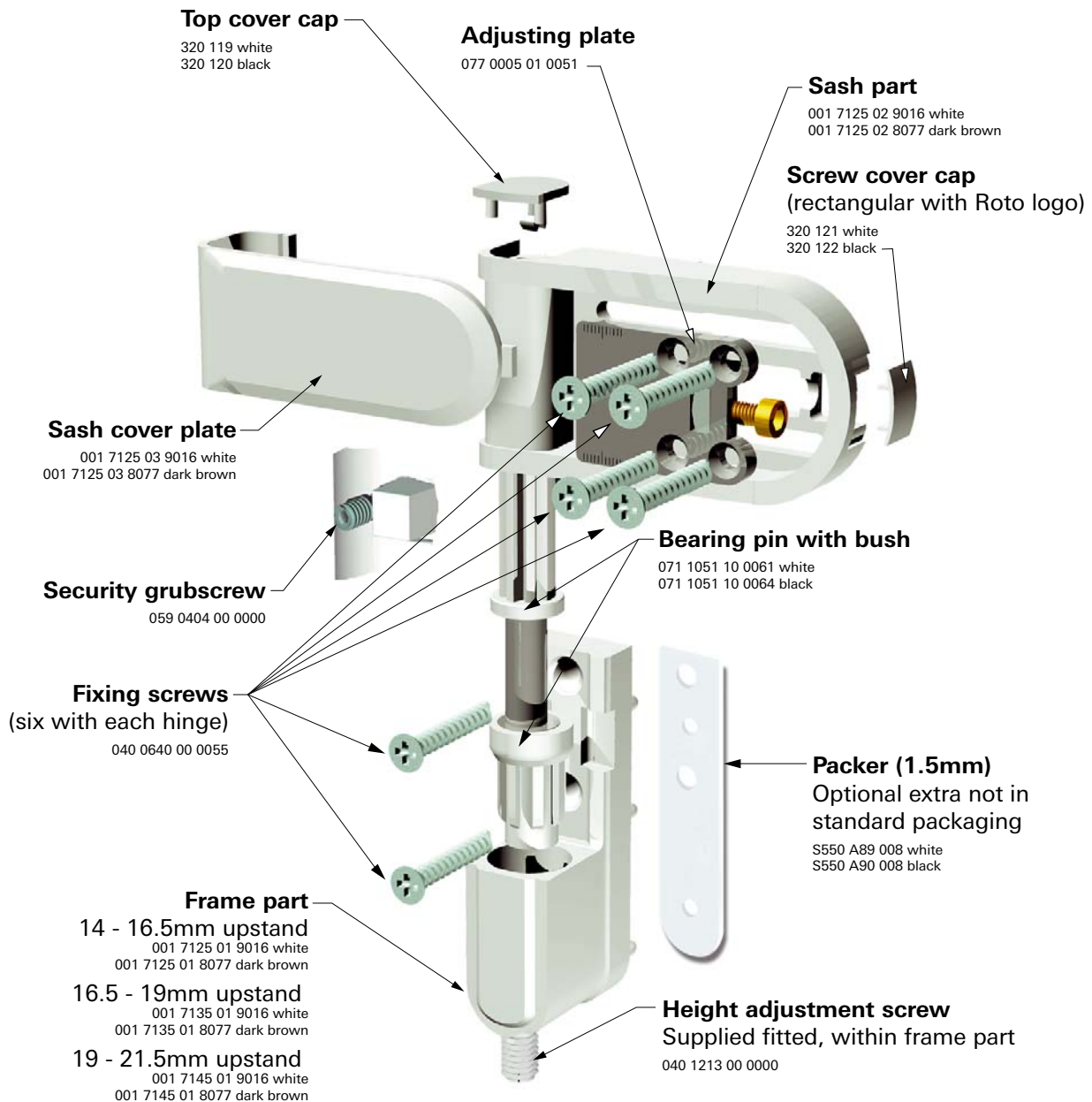
90mm part information

For upstand sizes 14 - 16.5 mm (including gasket)	
Colour	Part number
Brown - RAL 8077	224 730
White - RAL 9016	224 732
Caramel brown - RAL 8003	294 924
For upstand sizes 16.5 - 19 mm (including gasket)	
Brown - RAL 8077	224 736
White - RAL 9016	224 738
Light brown - RAL 8014	224 734
Caramel brown - RAL 8003	294 925
Versions with adjustment plate set at 35 mm	
White - RAL 9016	257 134
Brown - RAL 8077	318 021

For upstand sizes 19 - 21.5 mm (including gasket)	
Colour	Part number
Brown - RAL 8077	224 742
White - RAL 9016	224 744
Light brown - RAL 8014	224 740
Security pin	224 749
Adjustment key	223 666
Jigs	
Telescopic jig for 90 mm hinge	223 673
Connecting bar for 90 mm hinge	223 671

Please note:

Hinges can be ordered in any RAL specification finish, contact ROTO for further details.





Roto Roof Windows and Hardware Ltd.

Swift Point
Rugby CV21 1QH
United Kingdom
Telephone +44 (0)1788 55 86 00
Facsimile +44 (0)1788 55 86 05
info.west@roto-frank.com
www.roto-frank.co.uk

**Roto Frank S.A.
Roto Frank Nederland**

Rue du Bosquet 1
Zoning Industriel II
1400 Nivelles
Belgique
Téléphone +32 (0)67 89 41 40
Téléfax +32 (0)67 84 14 56
info.west@roto-frank.com
www.roto-frank.com

**Roto Frank AG
Fenster- und Türtechnologie**

Stuttgarter Straße 145 – 149
D-70771 Leinfelden-Echterdingen
Telefon +49 711 7598-0
Telefax +49 711 7598-253
info@roto-frank.com
www.roto-frank.com



Interested in additional products?

Do not hesitate to ask for further information

Telephone number:
+44 (0)17 88 55 86 00