

## **Roto DoorSafe Vareo**

H567 - lever operated multifunction door lock



**Liability exclusion**

All specifications in this catalogue were compiled carefully and reviewed. Because of technical progress and legislation modifications, the data may have changed in the meantime. We therefore hope you shall understand that we cannot be held liable for the correctness, completeness, and topicality of the contents. All rights, in particular the right to copy and circulate, reserved.

**Imprint**

Copyright: October 2010  
Roto Roof Windows and Hardware Ltd  
Swift Point  
Rugby  
CV21 1QH  
Telephone: +44 (0)1788 55 86 00  
Telefax: +44 (0)1788 55 86 05  
info.west@roto-frank.com  
www.roto.co.uk

Product liability and warranty	4
General design description	5
2 hooks V02/03 - part codes	6
Centre lock dimensions	7
Locking point details	8
Routing details	9
Operation	10

According to the defined manufacturer's liability described in paragraph 4 of the "product liability law", the following information regarding locking hardware systems for doors made of timber, PVC or aluminium should be observed. Non-compliance exempts the manufacturer from liability.

### 1. Product information and stipulated application

Locking hardware systems as covered by this definition is hardware for vertically installed doors made of timber, PVC or aluminium and their corresponding material combinations, which mainly have the task of closing and locking doors.

What is meant by closing, is that the door is held in such a manner that it cannot be opened by means of draught or pressure, however can be opened easily with a lever-handle. The latch is used for closing.

What is meant by locking is that the closed door is secured by means of a non-spring loaded, rigid bar and/or via two or more additional locking points: i.e. cams or bolts.

All locking devices engage into corresponding recesses in the door frame, and/or strikers, lock casing etc. The locking function is carried out by the dead-bolt and/or the additional locking devices (for example cams or bolts).

The deadbolt and the additional locking devices are moved by means of turning the profile cylinder key and/or by activating the lever-handle in order to lock and unlock.

The locking systems are designed for profile cylinders and/or round cylinders.

Refer to the technical documentation of these locking systems for the necessary dimensions and requirements for these cylinders.

The locking systems are not suitable for deformations and modifications of the final sealing-closure as a result of differences in temperature or building modifications.

The respective entire hardware set (locking system) may only consist of Roto original hardware components.

Damage can arise from the use of non-Roto hardware components, which excludes any liability on our part. To ensure stipulated application, the correct combination of permissible hardware and locking appliances is required (i.e. keys & cylinders), as well as accessories (i.e. strikers) and their installation, according to DIN-standards and maintenance requirements.

Doors for damp rooms and for use in environments with aggressive, corrosive air-content require special hardware. Mandatory legal regulations must be adhered.

### 2. Misuse

Misuse – therefore not the stipulated product utilisation of locking systems occurs if:

- the use of a non-Roto or non-stipulated part in the locking system or striker-plate prevents perfect operation.
- obstacles are inserted in the opening vicinity, thus preventing its proper specified use.
- a burglary attempt is carried out on the locking system or striker, which results in a modification of the construction, or affects its function.
- in order to keep the door open, the protruding shootbolts and/or the locking devices have been incorrectly operated.
- the locking devices have been mounted incorrectly or have been retro-treated, for example, painted.
- manual force, exceeding the normal force, has been applied on the lever-handle.
- manual force, exceeding the normal force, has been applied to the locking system via the profile cylinder key.
- non-relevant locking appliances, for example with differing dimensions, have been used.
- an enlargement or reduction of the required door gap arises while adjusting the butt hinges or door.
- a non-specified 2-leafed door has been opened via the passive leaf.
- a simultaneous lever-handle and cylinder operation takes place.
- tools or lever-effective aids have been used to operate the locking system.
- additional loads are exerted on the door leaf.
- while closing the doors someone reaches between door leaf and frame. (risk of injury!)

### 3. Liability

The entire hardware set may only consist of hardware components from Roto Frank AG. In the case of inappropriately assembled hardware, and/or in case of non original accessory components and/or non factory-approved accessory components, no liability is accepted.

### 4. Product performance

If the product performances have not been specifically determined in our catalogues and brochures, the requirements of the individual locking system must be agreed upon with us.

The adequacy of the locking systems is dependent, amongst other things, on operational frequency, operational manner, environmental influences and maintenance.

The locking cylinder and key are to be replaced as soon as malfunctions occur in particular while inserting or pulling out the key, in spite of proper maintenance.

Combination of the hardware:

The manufacturers regulations that deal with the combination of hardware are obligatory – (for example: the order of lever-handles, cylinders or additional hardware components)

### 5. Product maintenance

Security relevant hardware components are to be regularly examined for stability and wear and tear.

Subject to the requirements, the fixing-screws are to be tightened and/or parts replaced.

In addition to this, – according to demand – the following maintenance work is to be carried out annually:

- All movable parts and all locking points of the system are to be greased and tested.
- Only cleaning and maintenance agents that do not damage the corrosion protection of the hardware components are to be used.
- Work on the locking systems and corresponding hardware components, as well as the replacement of parts, is to be carried out by a specialist company.

### 6. Obligation to issue information and instructions

The following documentation is available to planning engineers, authorised dealers, fabricators, builders and users in conjunction with our obligation to issue information and instructions, as well as for maintenance work according to the "product liability code"

- Planning documents
- Catalogues
- Installation instructions
- Maintenance and care instructions
- Operating manuals

In order to ensure the perfect function of locking systems for doors

- Planning engineers are obliged to request and comply with the manufacturer's product information.
- The specialised dealers are obliged to observe and request product information from the manufacturer and to pass this on to the fabricators, in particular installation instructions, service & maintenance instructions as well as operating manuals.
- Fabricators are obliged to observe the product information and in particular to request service & maintenance instructions as well as operating manuals from the manufacturer.

### 7. Application of related hardware

The possible variations within the individual locking systems are to be treated according to the corresponding valid features of product performance, product maintenance, information and instruction obligations, product information, specified use/application and misuse.

A multi-point lock with the security and reliability you've come to expect from Roto, but with functional enhancement.

Keyless locking is one major advantage; simply lift the lever and the door is locked. There is no need to insert the key except when unlocking.

H567 has three mode settings, enabling the user to alter the function to suit their circumstances and preference.

A simple sliding switch on the faceplate moves between Egress, Secure and Passing modes.

**Egress** – Quick exit without key. The locked door can be opened from inside by depressing the handle. Even if the key is not in the lock, the householder can leave the house unhindered in an emergency.

**Secure** – Deadlocking mode with key required to exit. This is the full security mode, used when leaving the home unoccupied.

**Passing** – An ease-of-access mode, allowing the door to be opened from both sides without risk of locking oneself out. This mode is useful for a variety of situations such as when bringing in several items of shopping, or going briefly outside.

One door, three modes. Whatever the installation, H567 is the only multi-point lock you need.

H567 is designed and tested to enable doors to meet the requirements of **BS PAS 24**, as well as forthcoming standards such as BS 3621-2, BS 8621-2, BS 10621-2 for thief-resistant locks, plus Europe-wide standards prEN 15685 and ENV 1627-30.

The lock has proven operational strength and life cycle testing in accordance with **BS 7412** (elements previously in the withdrawn PAS 23).

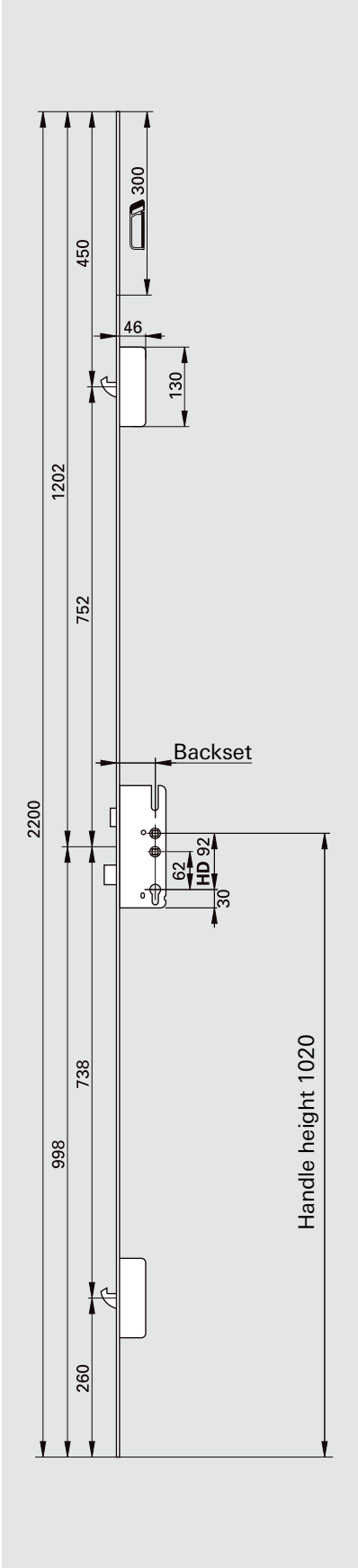
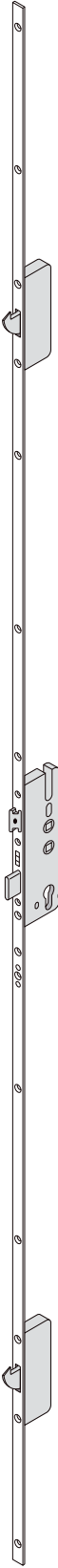
The functions enable compliance with the latest requirements of the National Housebuilding Council (NHBC).

The unique RotoSil Nano surface coating technology provides corrosion resistance to the highest grade of **EN 1670**.

**H567**  
**2 hooks**  
**V02/03, SRH 1900 - 2200**

16mm faceplate width

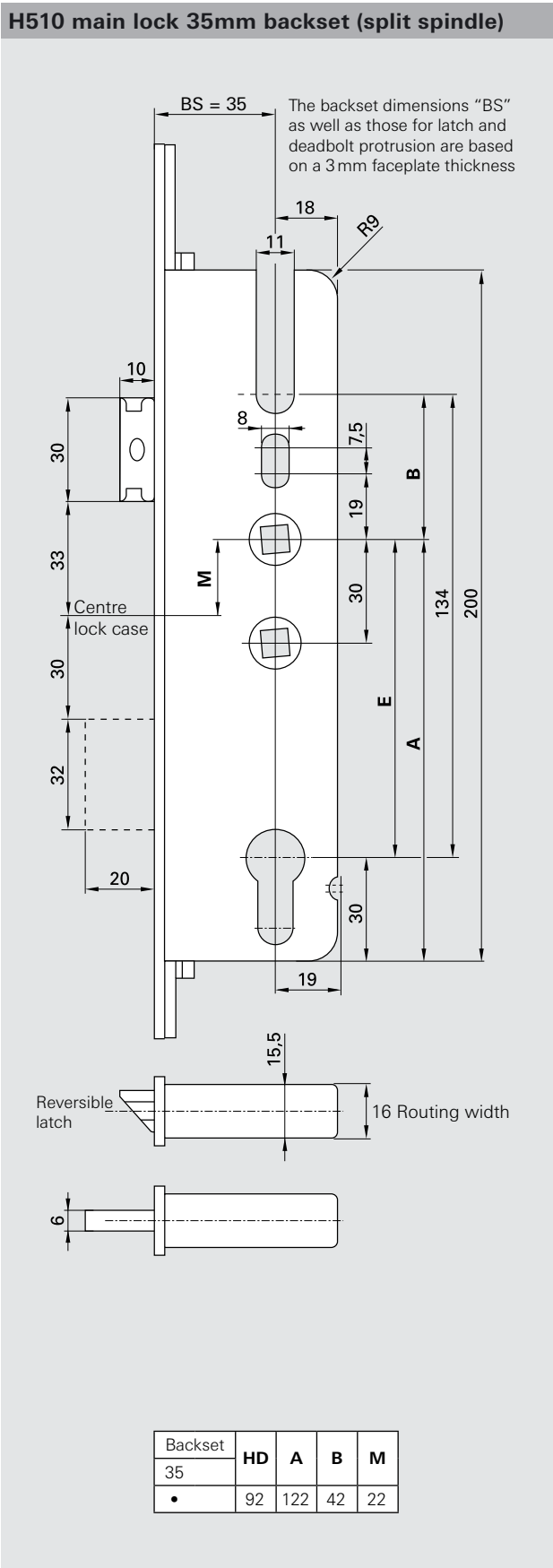
B'set	Description	Part no.
35mm	split spindle	611929



SRH	1900-2200mm
Faceplate length	2200mm

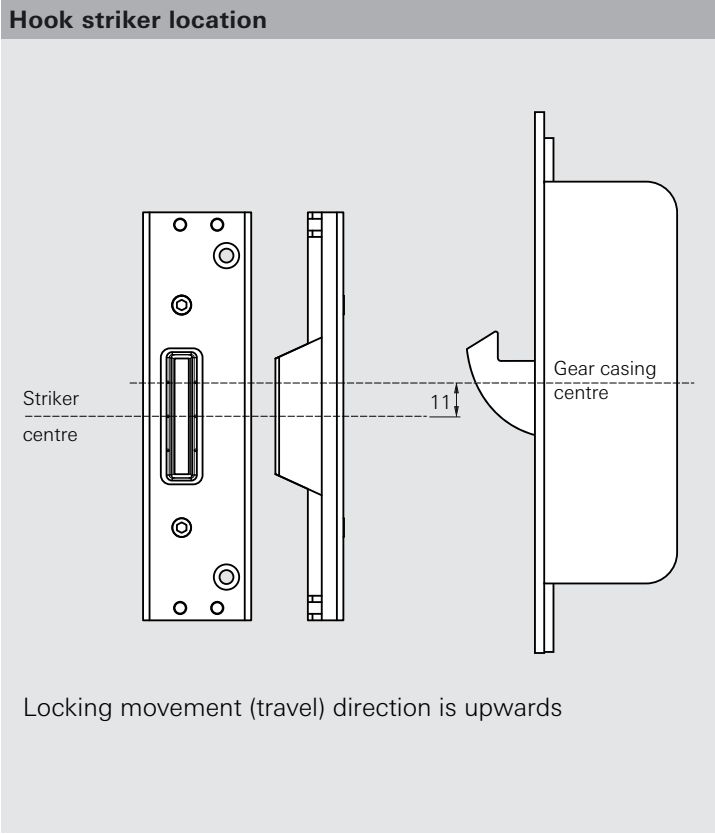
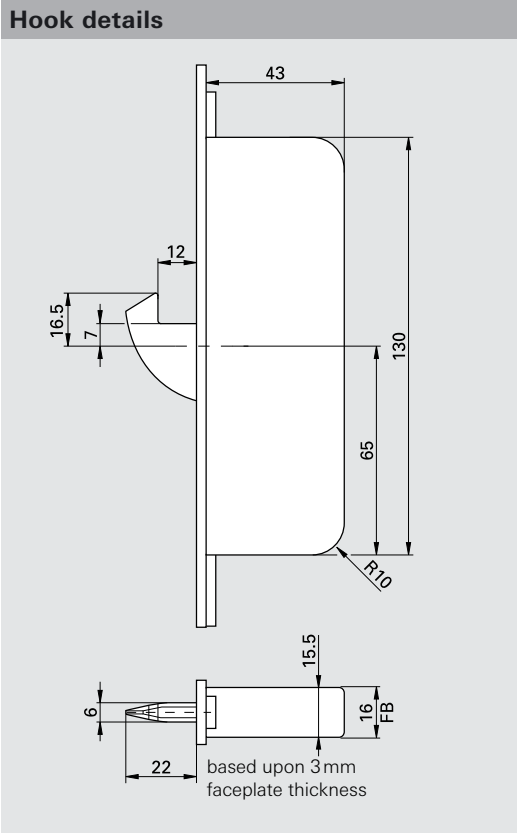
# H567 detail

## Centre lock detailed dimensions



# H567

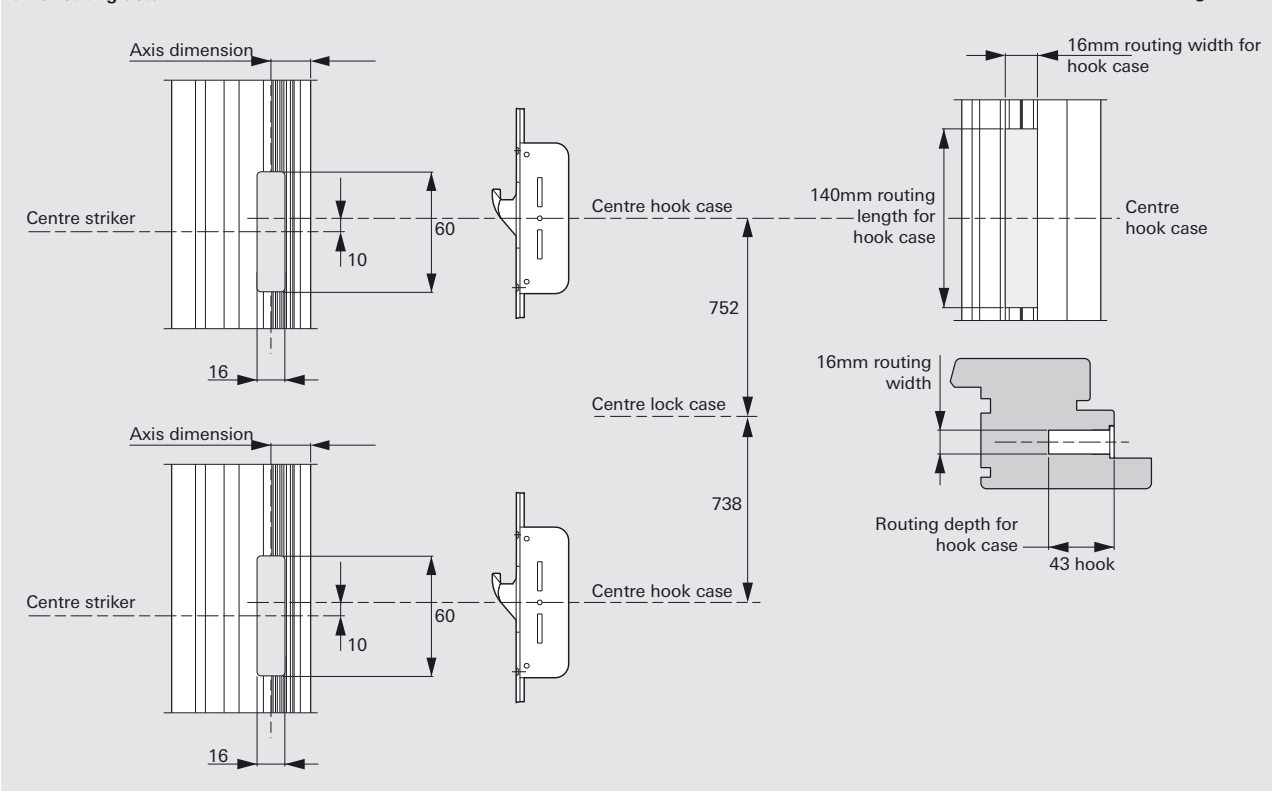
## Locking point details



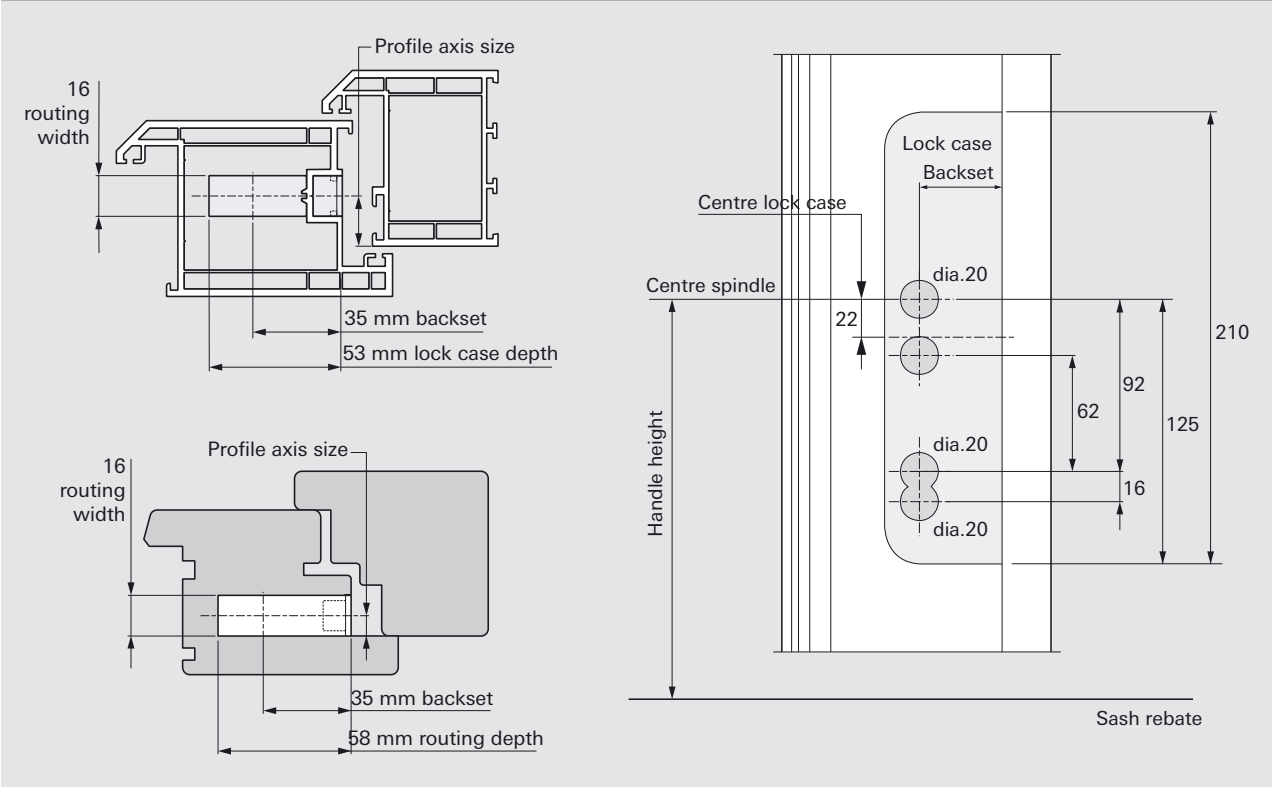
# H567

## Routing details

### Hook routing details



### Centre section routing details





On unlocking the door, the egress mode is always set.



To engage Secure mode, slide the switch to "S".



To engage Passing mode, insert key and turn one complete rotation to unlock. Slide the switch to "P".

**"E" mode**



Locking (shown external)



Internal unlocking

Locking the door from the outside or inside; simply close the door and lift the handle. This operation engages all locking points, but locks the outside only.

The internal handle can be operated at any time to release the door.

This mode allows quick and immediate egress without the use of keys or thumb turn cylinders.

In this mode, when the door is closed behind you it remains held on the latch from outside.

**"S" mode**



Locking (shown external)



Unlocking (a)



Unlocking (b)

Locking the door from either the outside or inside; simply close the door and lift the handle.

The handle is fixed and the door can only be opened by turning the key one complete rotation.

In this mode, when the door is closed behind you it remains held on the latch from outside.

NB: Unlocking the door will re-set the lock to egress.

**"P" mode**



Opening from outside/inside



Locking & re-set to "E" mode

The key must be turned one complete rotation to unlock before engaging this function.

It is used when you want to go outside without locking the door. The door is closed on the latch but can be released from outside or inside via the handle.

NB. Lifting the handle automatically re-sets the lock to the "E" mode, securing the door from the outside.



**Roto Roof Windows and Hardware Ltd.**

Swift Point  
Rugby CV21 1QH  
United Kingdom  
Telephone +44 (0)1788 55 86 00  
Facsimile +44 (0)1788 55 86 05  
info.west@roto-frank.com  
www.roto-frank.co.uk

**Roto Frank S.A.  
Roto Frank Nederland**

Rue du Bosquet 1  
Zoning Industriel II  
1400 Nivelles  
Belgique  
Téléphone +32 (0)67 89 41 40  
Téléfax +32 (0)67 84 14 56  
info.west@roto-frank.com  
www.roto-frank.com

**Roto Frank AG  
Fenster- und Türtechnologie**

Stuttgarter Straße 145 – 149  
D-70771 Leinfelden-Echterdingen  
Telefon +49 711 7598-0  
Telefax +49 711 7598-253  
info@roto-frank.com  
www.roto-frank.com

**Interested in additional products?**

Do not hesitate to ask for further information

Telephone number:  
**+44 (0)17 88 55 86 00**