

DoorLine

PS 27, 105mm hinge



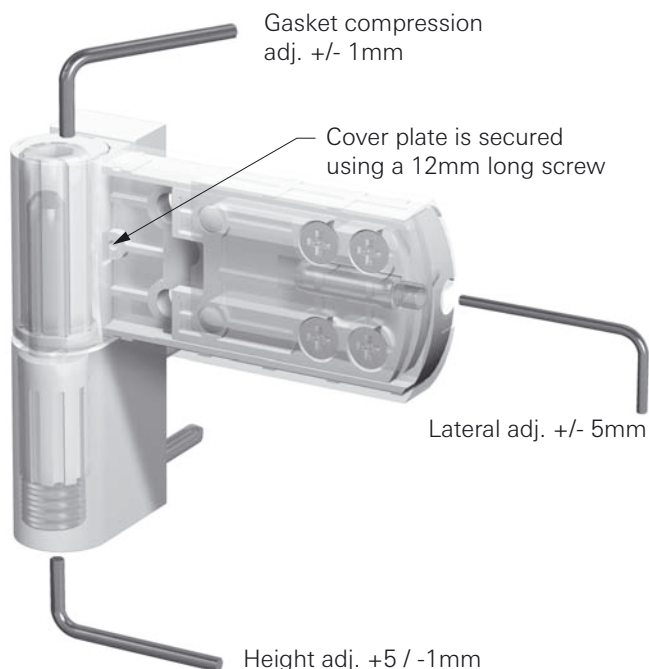
DoorLine


PS 27, 105mm hinge

Designed to provide security, safety and convenience for the end user, PS 27 also offers a number of benefits for the fabricator and installer, which will simplify both fitting and adjustment on site. Capable of handling door sashes up to 120kg in weight, the PS 27 features a patented hinge-side rebate safety device that offers excellent resistance to unhinging or jemmying of the door.

Furthermore, the PS 27 hinges are CE marked, meaning they are certified to the EN 1935 European standard. This is equivalent to BS EN 1935:2000 standard for single axis hinges and includes security, durability and corrosion tests.

- For sash weights up to 120kg
- Three standard surface finishes are available:
 - RAL 9016 - white
 - RAL 8077 - dark brown
 - RAL 8003 - caramel
- Two standard pre-sets are available; 39 and 42mm.
- An integral anti-lift device offers excellent resistance to unhinging or jemmying of the door.
- All hinges are non-handed.
- There are four upstand sizes:
 - 14 - 17.5mm
 - 17 - 20.5mm
 - 20 - 23.5mm
 - 23 - 26.5mm
- There is a 0.5mm overlap between the size ranges, which gives additional options to customers whose profiles are on the borderline between two hinge sizes.
- Lateral adjustments are made using a standard 4mm Allen key.
- Compression and height can be adjusted using a 6mm Allen key once the door has been installed.



		Roto Frank Austria GmbH Lapp-Finze-Straße 21 A-8401 Kalsdorf/Graz									
0757-BPR-229-08-003		08									
EN 1935:2002	-	-	-	4	7	6	0	1	4*	1	13

* Valid only for powder coated hinges

Roto Roof Windows and Hardware Ltd.

Swift Point
 Rugby CV21 1QH
 United Kingdom
 Telephone +44 (0)1788 55 86 00
 Facsimile +44 (0)1788 55 86 05
 info.west@roto-frank.com
 www.roto.co.uk