

WE OPEN SPACE



Roto DoorSafe

DoorSafe MV D500

Parts Brochure

for 3 Piece Door Locks

DoorSafe MV D500

Index



Order details	
Compression cam extensions	4
Compression cam extensions with teeth	5
Deadbolt extensions with compression cams	6
Hook extensions with teeth	7
Hook extensions with external compression cam	8
Technical details	
Compression cam extensions	10
Hook, deadbolt & compression cam extensions	11
Hook & deadbolt routing details	12
28 & 35 mm backset central door lock	13
45 & 65 mm backset central door lock	14

DoorSafe MV D500

Compression cam extensions

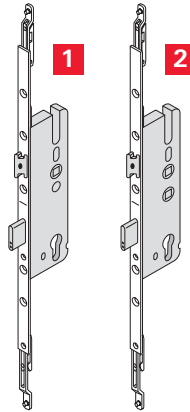
Top ext. with compression cams

A 880 mm **223739**

Extensions can be cut max. 200 mm



A



1 Standard door lock

B'set (mm)	Faceplate length (mm)	Part Number
28	400	337869
35	400	337870
45	400	337871

2 Split spindle door lock

B'set (mm)	Faceplate length (mm)	Part Number
35	400	337884
45	400	337885

Bottom ext. with compression cams

A 880 mm **223739**

Extensions can be cut max. 200 mm

A



SRH 1760-2160 mm
Handle height 902-1102 mm

DoorSafe MV D500

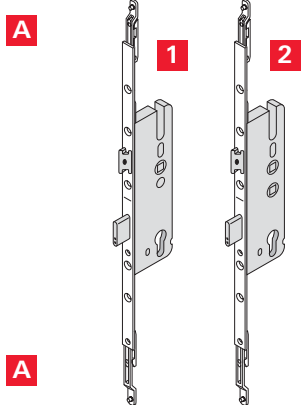
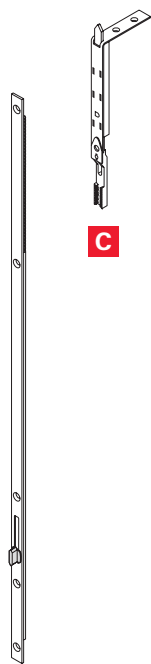
Compression cam extensions with teeth



Top extension with compression cam & teeth

	Faceplate length	Part Number
A	745 mm	223741

Extension can be cut max. 200 mm



1 Standard door lock

B'set (mm)	Faceplate length (mm)	Part Number
28	400	337869
35	400	337870
45	400	337871

2 Split spindle door lock

B'set (mm)	Faceplate length (mm)	Part Number
35	400	337884
45	400	337885

Bottom extension with compression cam & teeth

	Faceplate length	Part Number
A	745 mm	223741

Extension can be cut max. 200 mm



C Additional connections with a faceplate length of 135 mm

Standard shootbolt (shown - bottom)	243009
Reverse action shootbolt (shown - top)	243008
Security corner drive	231774
Standard corner drive	231091
Mini extension	231380



SRH 1760-2160 mm
Handle height 902-1102 mm

DoorSafe MV D500

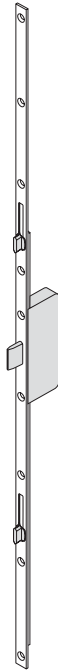
Deadbolt extensions with compression cams

Top extension with deadbolt & compression cams

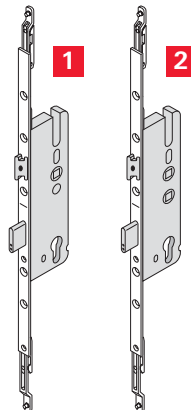
Faceplate length **Part Number**

A 872 mm **225660**

Extension can be cut max. 200 mm



A



1

2

1 Standard door lock

B'set (mm)	Faceplate length (mm)	Part Number
28	400	337869
35	400	337870
45	400	337871

2 Split spindle door lock

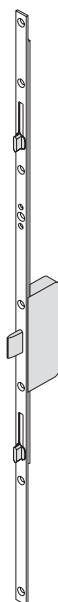
B'set (mm)	Faceplate length (mm)	Part Number
35	400	337884
45	400	337885

Bottom extension with deadbolt & compression cams

Faceplate length **Part Number**

B 778 mm **225659**

Extension can be cut max. 150 mm



B

SRH 1700-2050 mm
Handle height 902-1102 mm

DoorSafe MV D500

Hook extensions with teeth



Top extension with hook & teeth

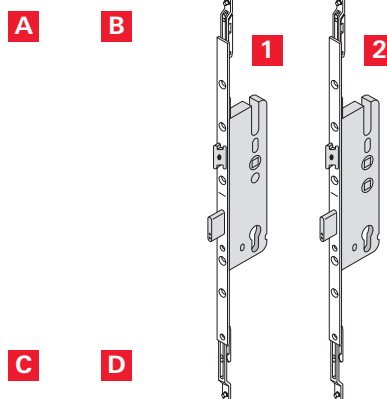
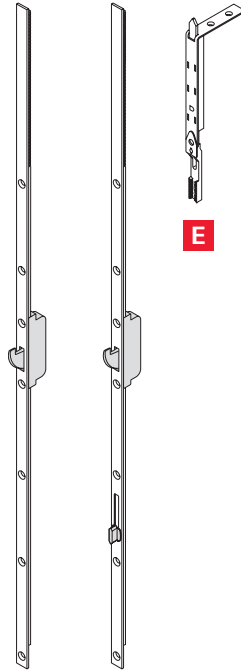
Faceplate length **Part Number**

A 872 mm **335530**

Top extension with hook, internal compression cam & teeth

B 872 mm **335531**

Extensions can be cut max. 200 mm



Bottom extension with hook & teeth

Faceplate length **Part Number**

C 778 mm **335533**

Bottom extension with hook, internal compression cam & teeth

D 778 mm **335544**

Extensions can be cut max. 200 mm

E Additional connections with a faceplate length of 135 mm

Standard shootbolt **243009**
(shown - bottom)

Reverse action shootbolt **243008**
(shown - top)

Security corner drive **231774**

Standard corner drive **231091**

Mini extension **231380**

1 Standard door lock

B'set (mm)	Faceplate length (mm)	Part Number
28	400	337869
35	400	337870
45	400	337871

2 Split spindle door lock

B'set (mm)	Faceplate length (mm)	Part Number
35	400	337884
45	400	337885

SRH 1920-2320 mm
Handle height 902-1102 mm

DoorSafe MV D500

Hook extensions with external compression cam

Top extension with hook & external compression cam

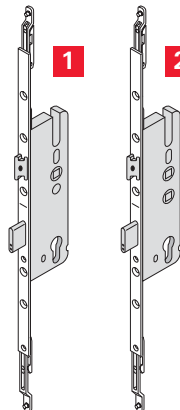
Faceplate length **Part Number**

A 872 mm **335529**

Extension can be cut max. 200 mm



A



1

2

1 Standard door lock

B'set (mm)	Faceplate length (mm)	Part Number
28	400	337869
35	400	337870
45	400	337871

2 Split spindle door lock

B'set (mm)	Faceplate length (mm)	Part Number
35	400	337884
45	400	337885

Bottom extension with hook & external compression cam

Faceplate length **Part Number**

B 778 mm **335532**

Extension can be cut max. 150 mm



B

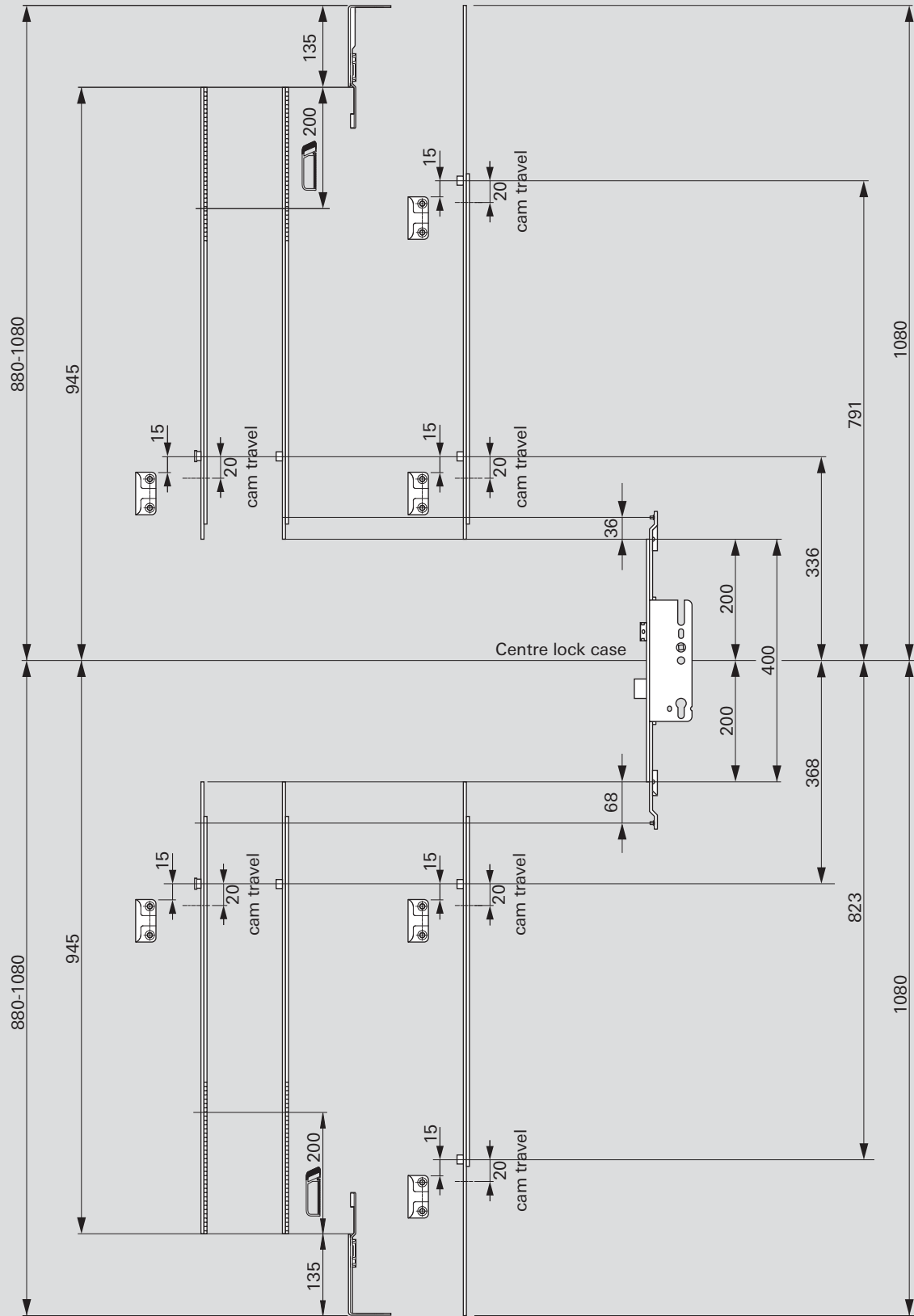
SRH 1700-2050 mm
Handle height 902-1102 mm



DoorSafe MV D500

Compression cam extensions

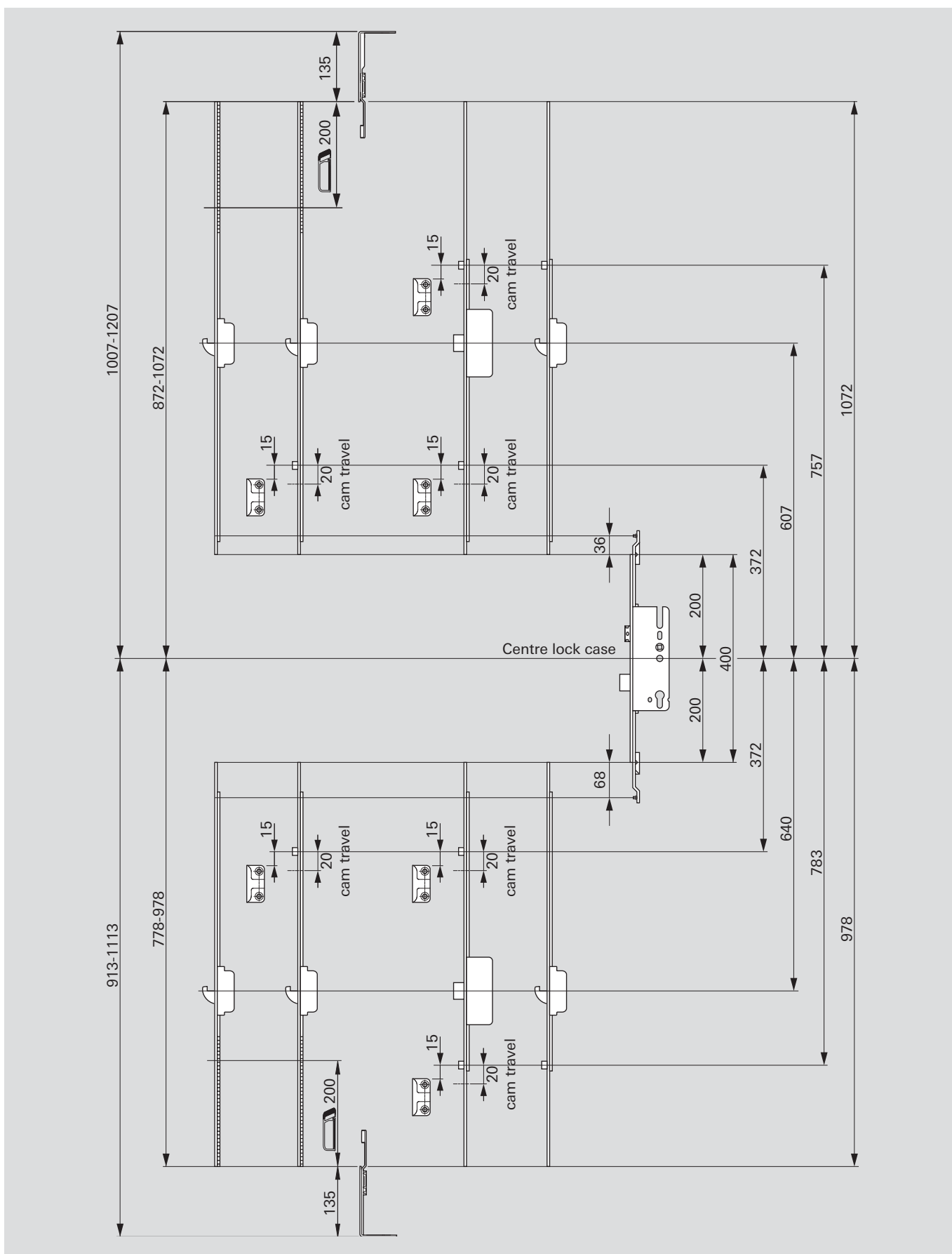
Technical details



DoorSafe MV D500

Hook, deadbolt & compression cam extensions

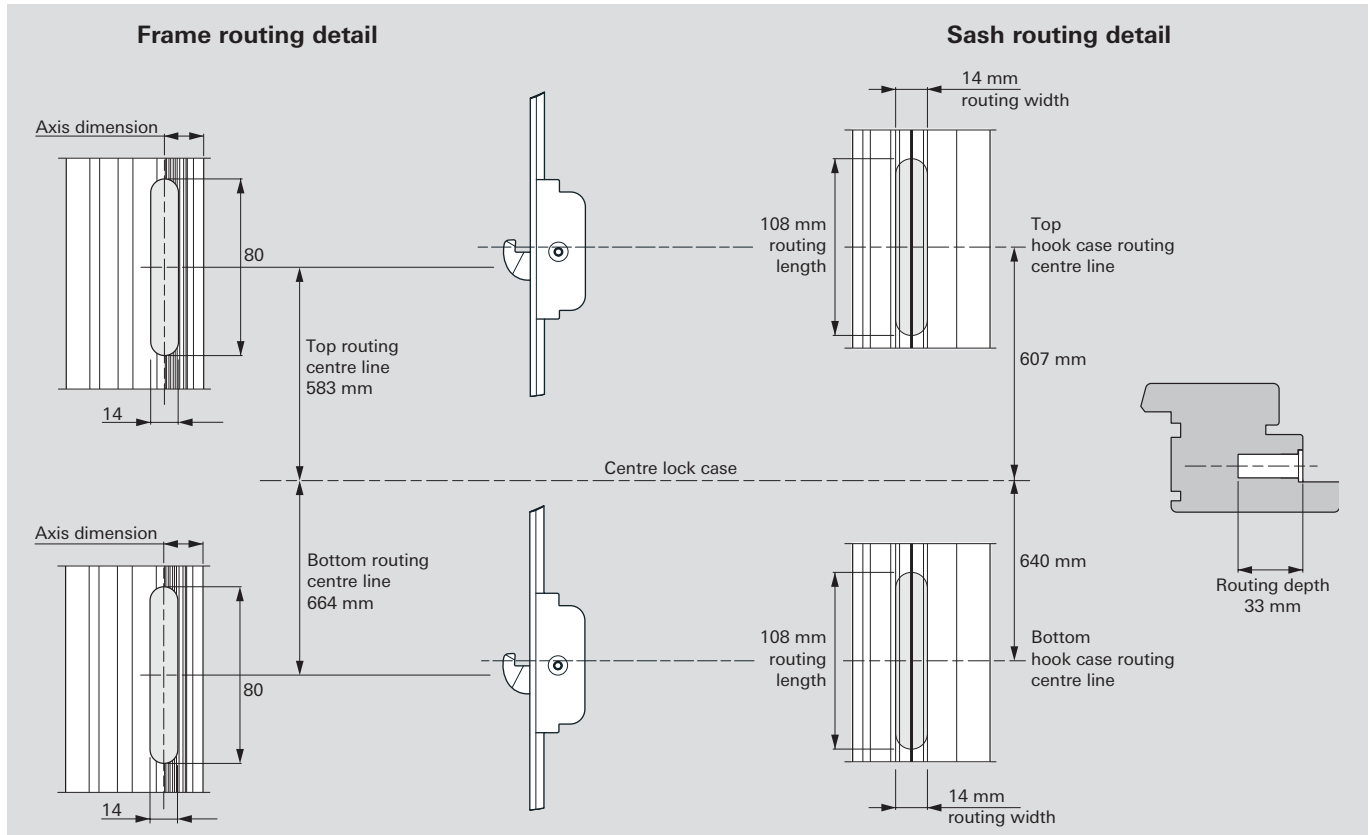
Technical details



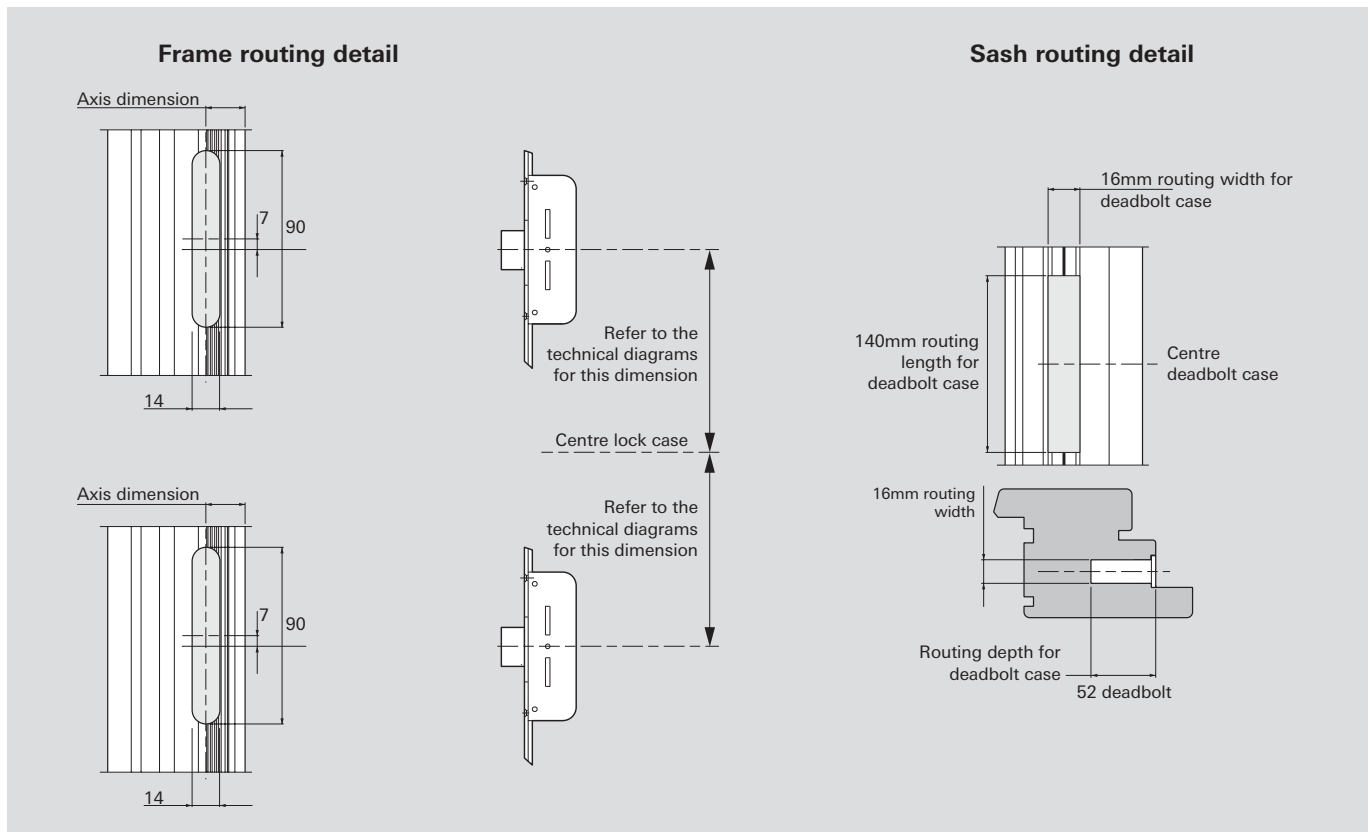
DoorSafe MV D500

Hook & deadbolt routing details

Hook



Deadbolt

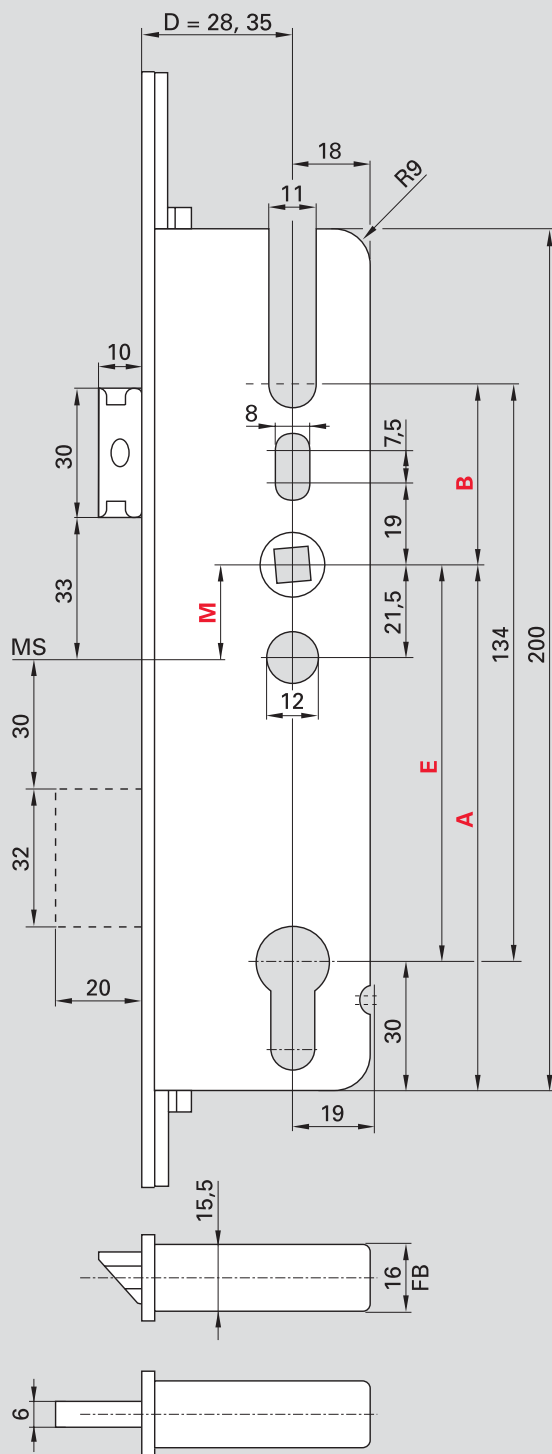


DoorSafe MV D500

Central door lock - 28 & 35 mm backset technical information

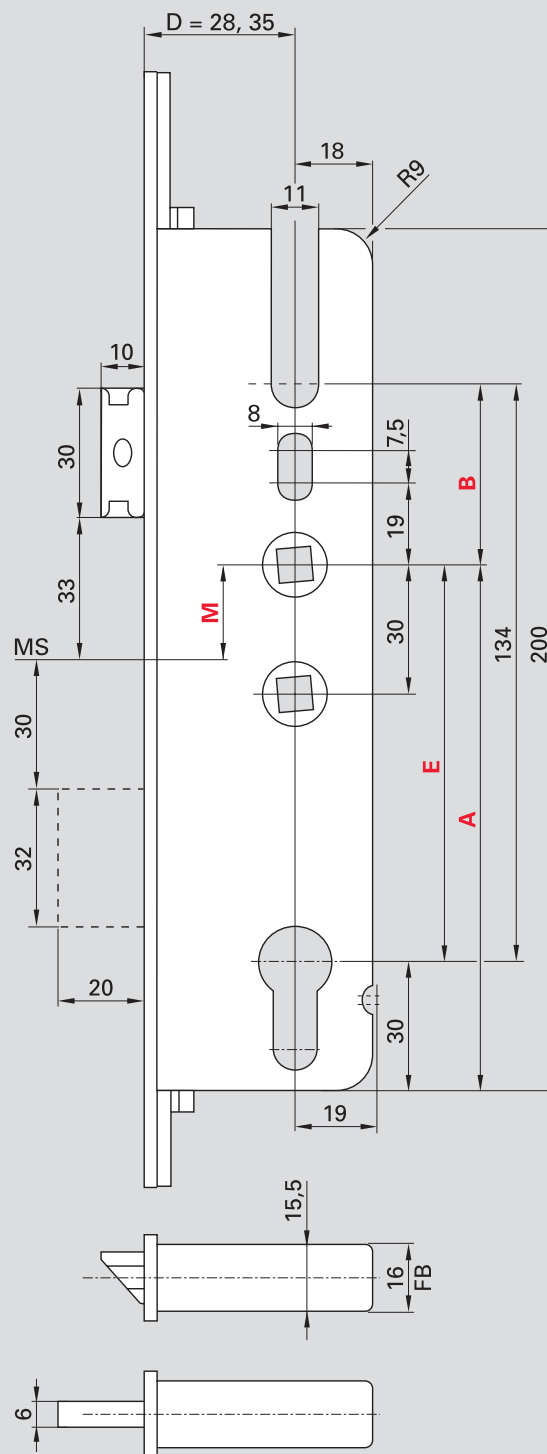


Standard lock



Backset		E	A	B	M
28	35				
-	•	72	102	62	2
-	•	85	115	49	15
•	•	92	122	42	22

Split spindle lock

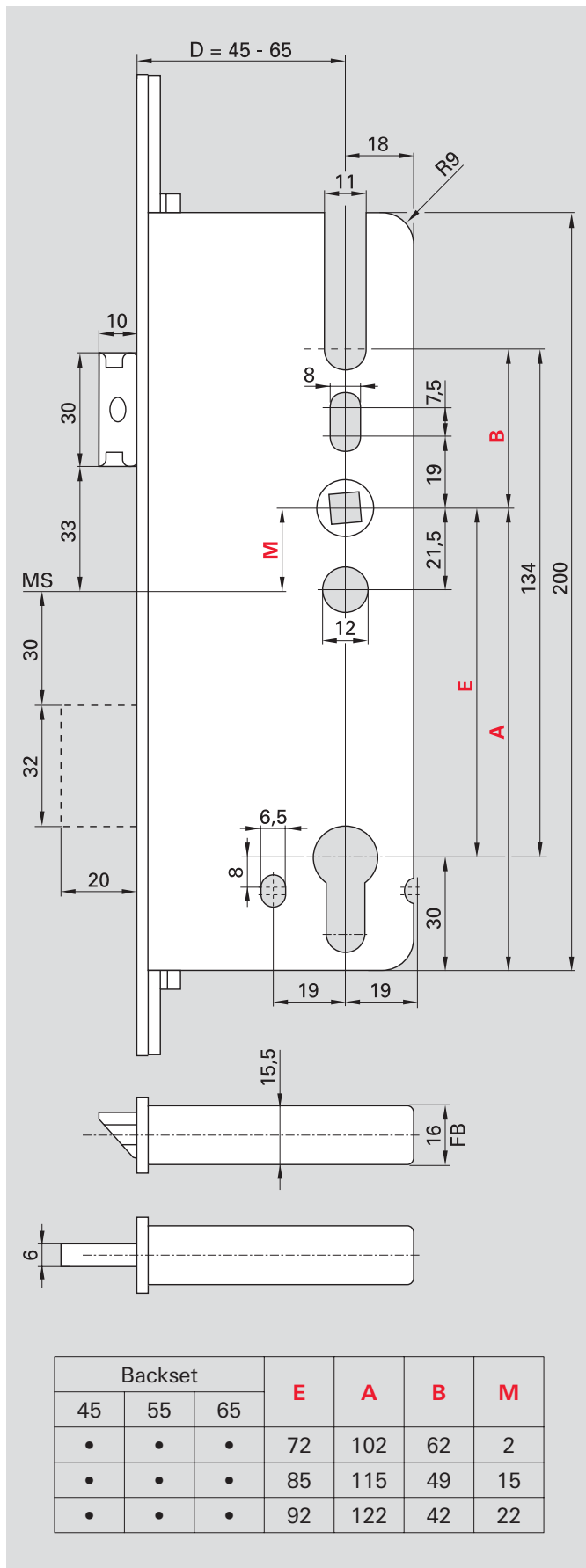


Backset		E	A	B	M
28	35				
•	•	92	122	42	22

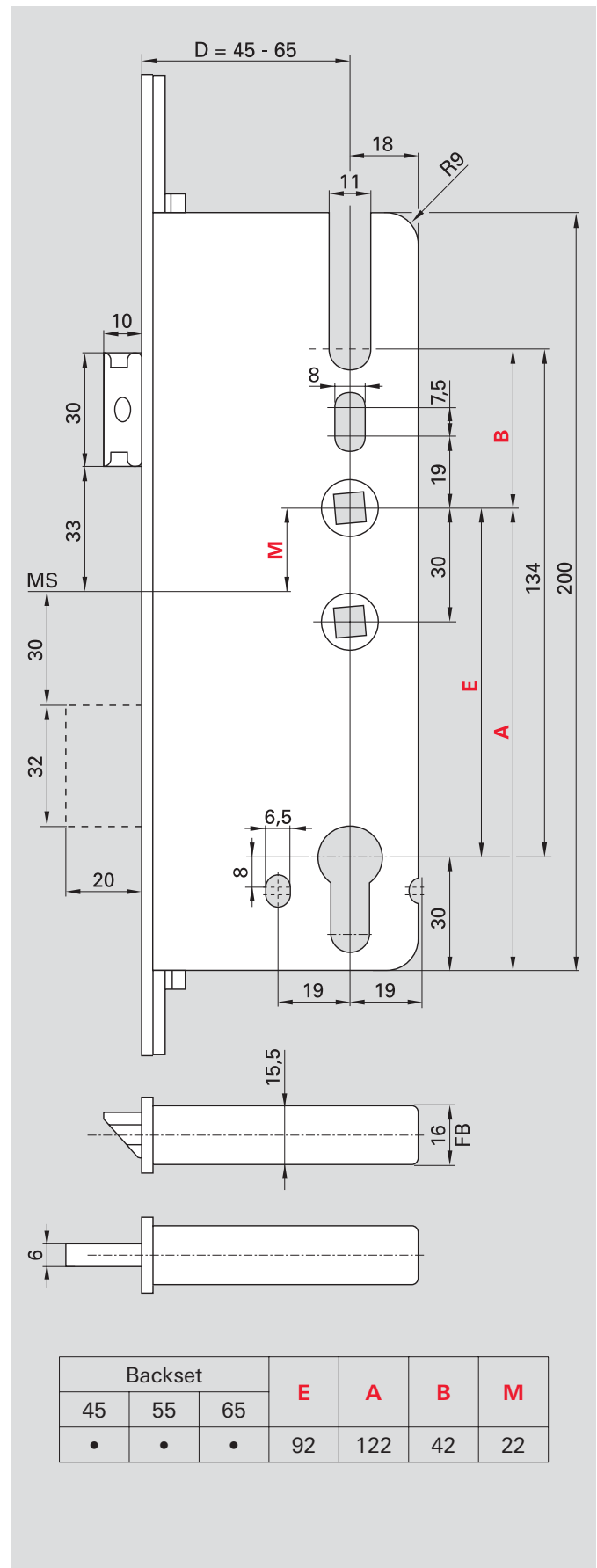
DoorSafe MV D500

Central door lock - 45 - 65 mm backset technical information

Standard lock



Split spindle lock







Roto Frank Ltd
Swift Point • Rugby • Warwickshire • CV21 1QH
Telephone: 01788 558600 • Facsimilie: 01788 558605
E-Mail: uk_sales@roto-frank.com • Internet: www.roto-frank.co.uk

